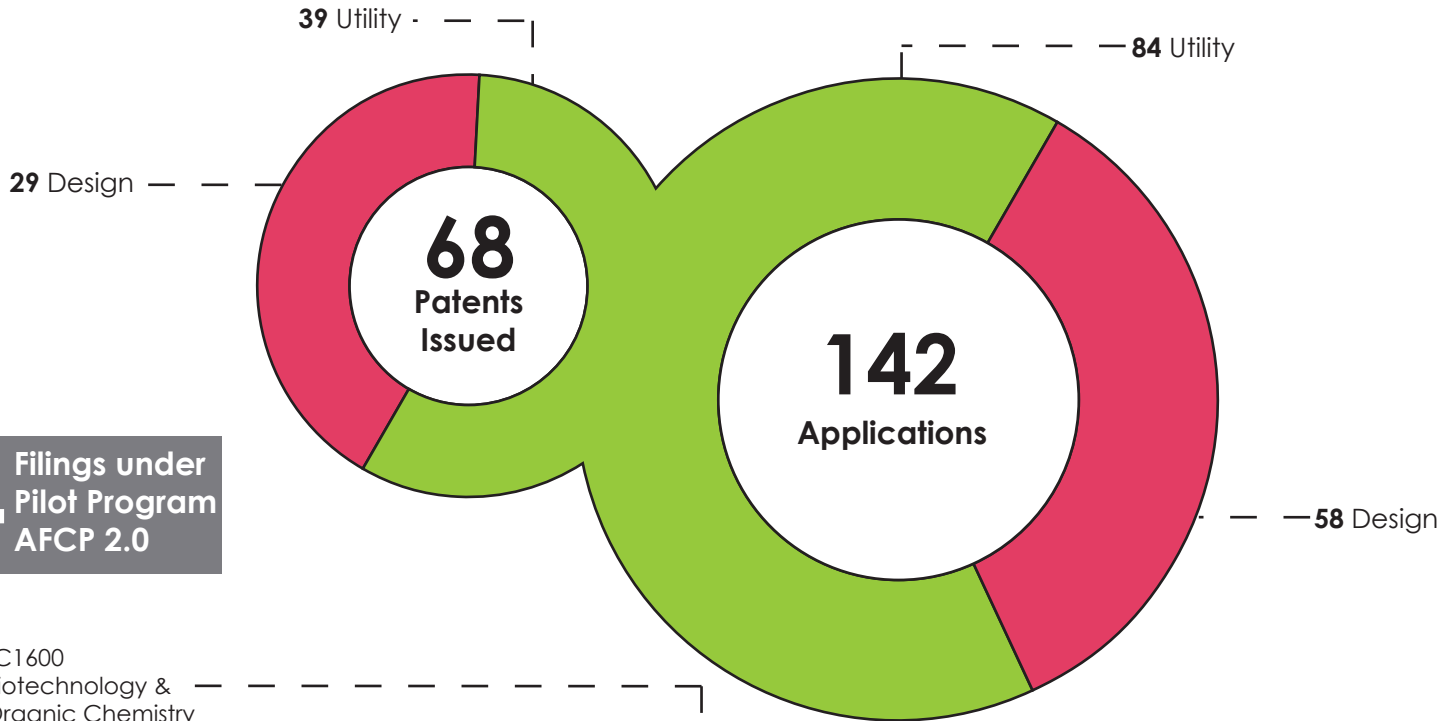


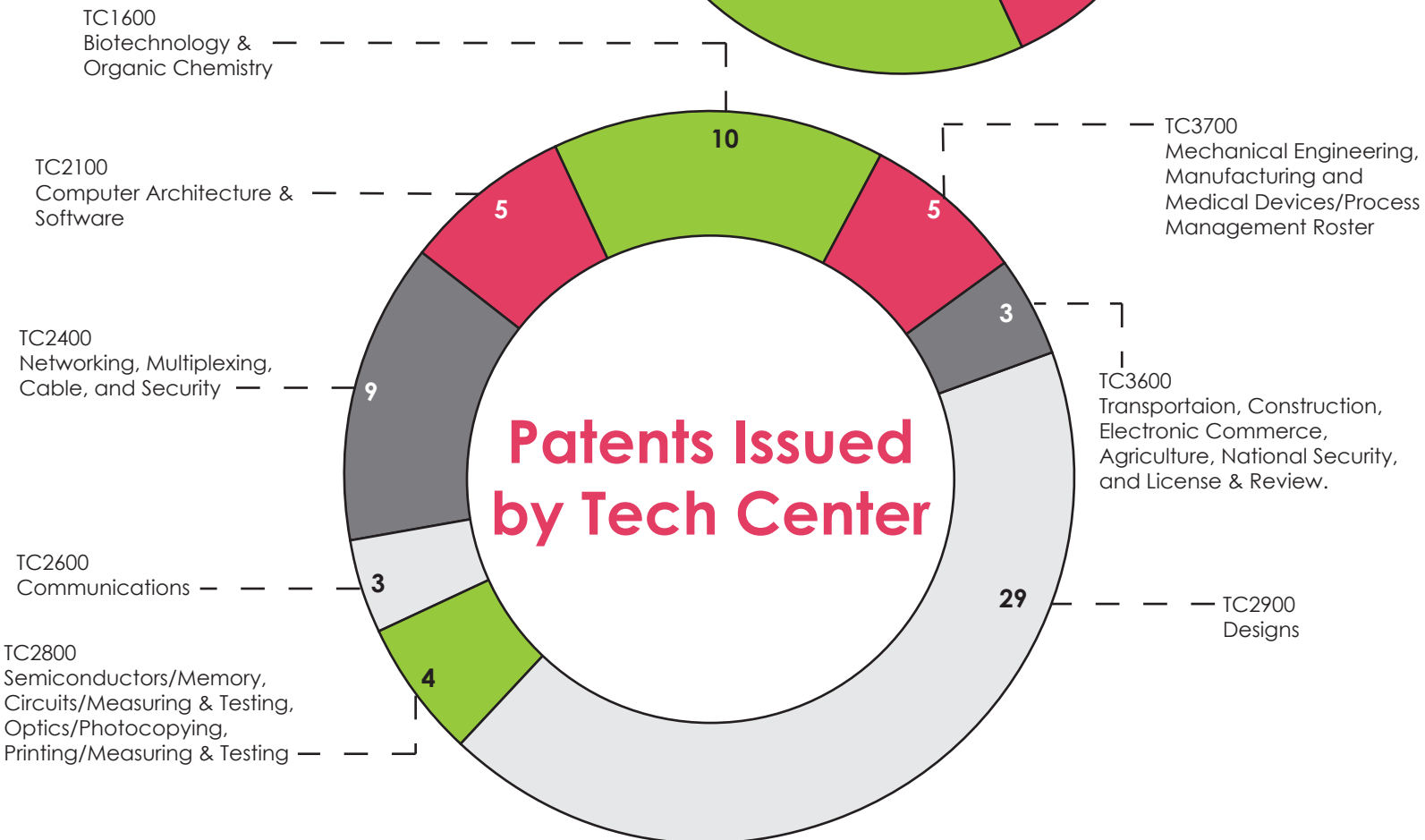
# Patent Prosecution SnapStats

## Sterne Kessler Patent Prosecution - July 2016

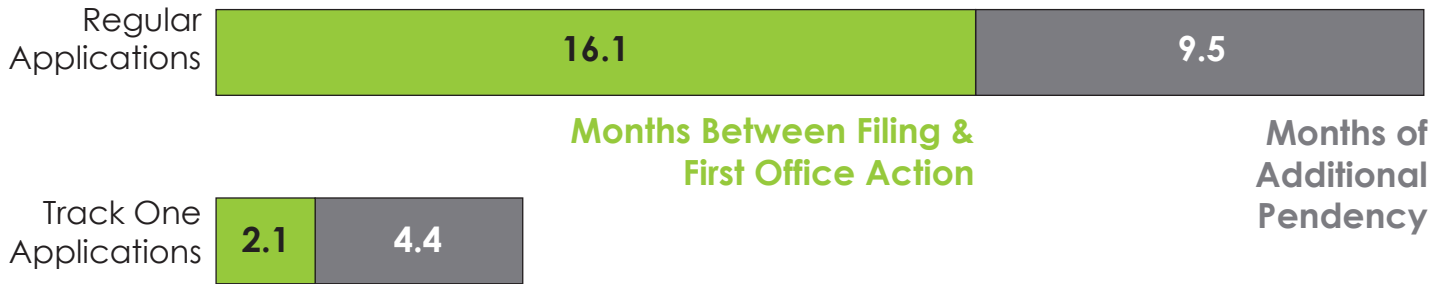
In July 2016, we conducted **63+** interviews at the **USPTO** and filed **8** appeals.



**14** Filings under Pilot Program AFCP 2.0



# USPTO Pendency Statistics



## This Month's Featured Patent

### Plasmology4, Inc.

With a focus on research, development, and commercialization, Plasmology4, Inc. specializes in therapeutic medical devices and solutions. **U.S. Patent 9,384,947 B2** is a comfortable device that facilitates the delivery of cold plasma to the face of a patient, for treatments of acne, complex facial wounds, melanoma, rosacea, and psoriasis.

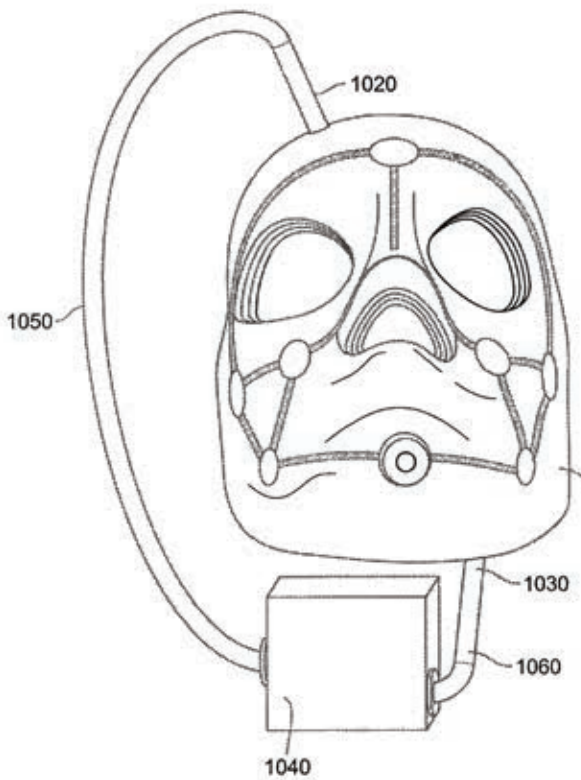


FIG. 10

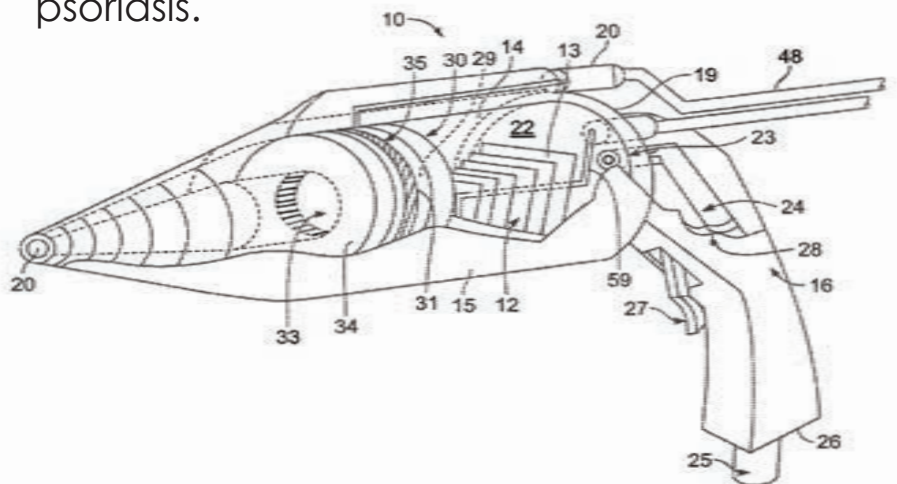


FIG. 1A



1100 New York Ave. NW, Washington, DC 20005

[SKGF.com/Patents](http://SKGF.com/Patents)

**CLICK HERE**  
to view a portfolio of  
patents issued on  
behalf of our clients  
during July 2016.